

(Encoders) ME-775

ENCODERS MAGNETIC SERIES



- 双向霍尔作用译码器
Two Channel Hall Effect Encoder
- ★ 使用相对湿度: 20%~85%RH
Operating relative humidity
- ★ 使用温度范围: -40°C~+85°C
Operating temperature range



外形尺寸图/Appearance size

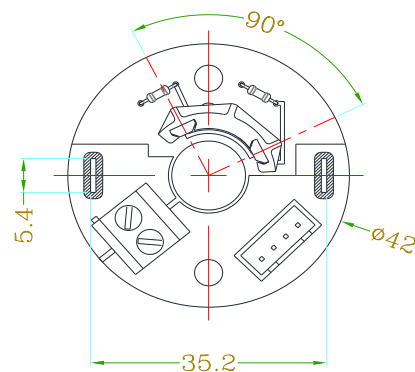


接口:
JST XHP-4
P=2.5-4P

Two Channel Encoder
Connections :

1. HALL SENSOR Vcc
2. HALL SENSOR GND
3. HALL SENSOR A Vout
4. HALL SENSOR B Vout

- *此译码器主要安装在RS-775电机上。
*The encoder mainly install on the Motor of RS-775
- *每周输出3PPR, 7PPR
*Each turn output 3PPR,7PPR

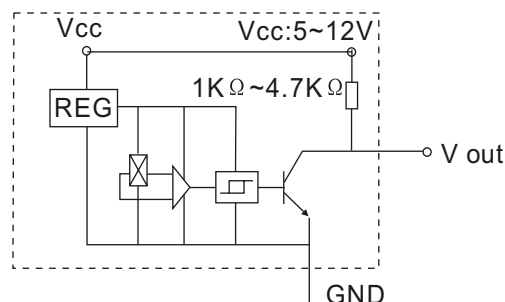


ELECTRICAL CHARACTERISTICS

At $V_s=4.5V$ to $24V$ with $20mA$ load with $T_a=-40^{\circ}C$ to $125^{\circ}C$ [$-40^{\circ}F$ to $257^{\circ}F$] unless otherwise noted.

规格特性 CHARACTERISTICS	代号 SYMBOL	测试条件 TEST CONDITIONS	极小 MIN	基本 REF	最大 MAX	UNITS
输入电压 Supply Voltage	Vcc	---	4.5	--	24	V
输入电流 Supply Current	I _{cc}	---	--	14	20	mA
输出电流 Output Current	I _c	V _{ce} =12V; Gauss<-170	--	<0.1	20	mA
输出漏电电流 Output Leakage Current	I _{cex}	Output open; 25°C [77°F]	--	--	10	μA
输出上升时间 Output Rise Time	T _r	R _L =820Ω; C _L =20pF; 25°C	--	0.5	1.5	μS
输出下降时间 Output Fall Time	T _f	R _L =820Ω; C _L =20pF; 25°C	--	0.2	1.5	μS

输出电路 Output Circuit



输出波形 Output Wave

